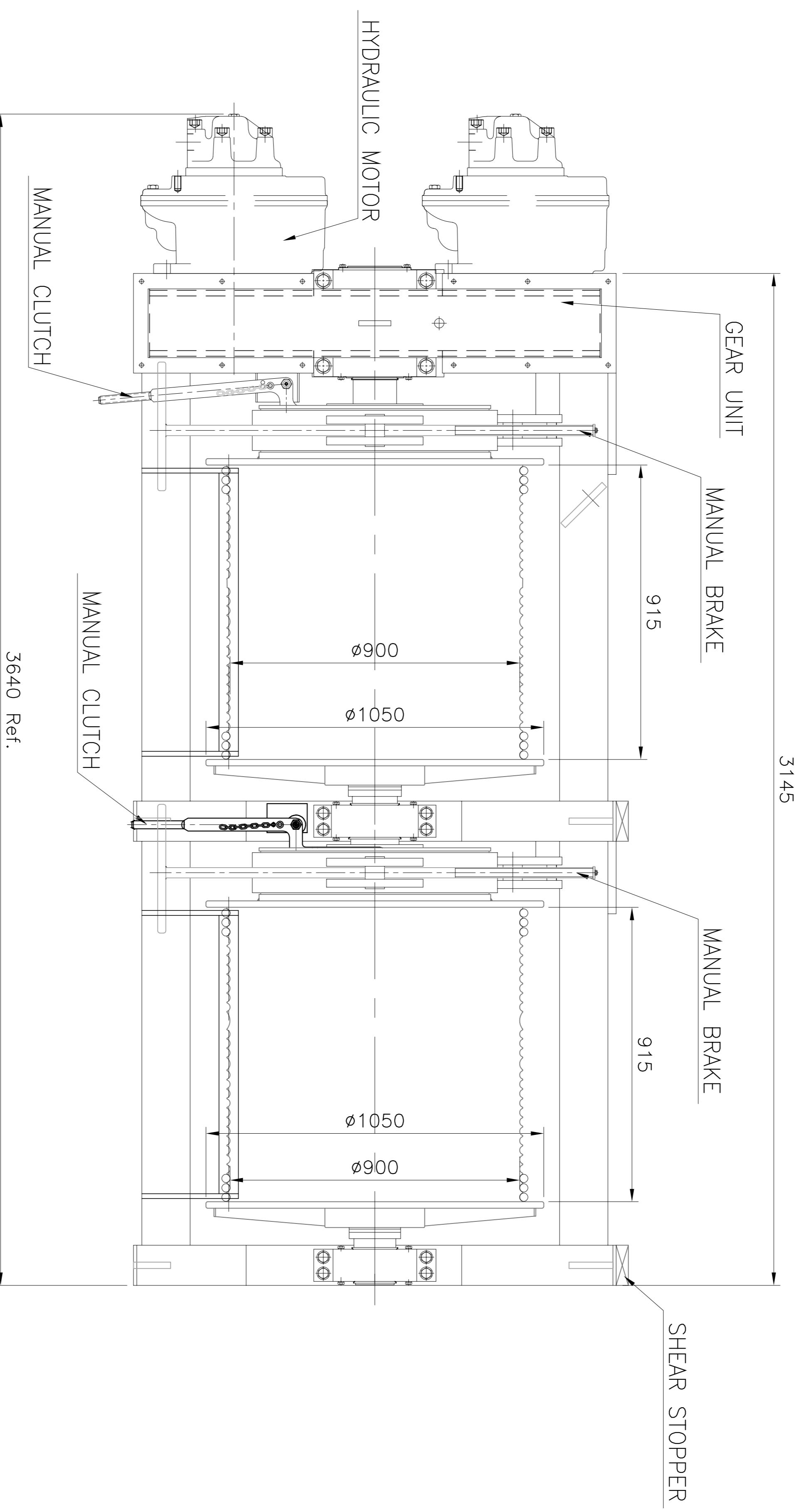
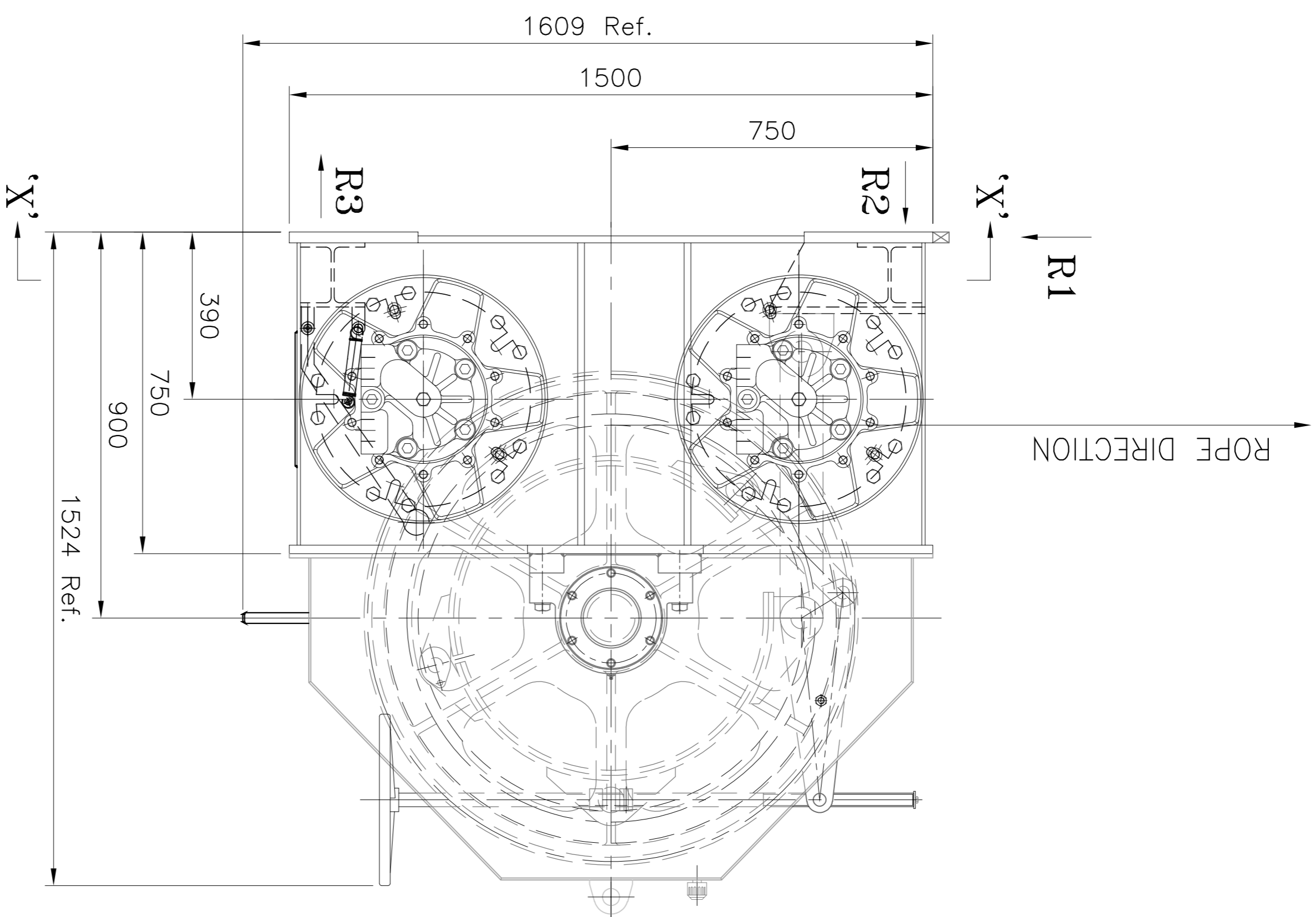


REVISION HISTORY		DATE	INIT.
REV	DESCRIPTION		



SPECIFICATION

- DRUM CAPACITY : 95m x ϕ 26mm (S.W.R, EACH DRUM 1 LAYER)
- RATE PULL : 10T x 0~5 m/min (1st LAYER EACH DRUM WORKING)
(ALLOW TWO DRUMS TO WORK SIMULTANEOUSLY)
- BRAKE HOLDING : 15T (STATIC, 1st LAYER)
- BRAKE ASSEMBLY : MANUALLY OPERATED
- CLUTCH ASSEMBLY : MANUALLY OPERATED
- CONTROL : LOCAL CONTROL

NOTES:

1) SHEAR STOPPERS ARE PROVIDED AND FITTED BY YARD.



TITLE		SCALE	PROJ	MASS (kg)
SIDE SLIP CRADLE WINCH GENERAL ARRANGEMENT MODEL: SCCW-SD-10-15		N.T.S.		6000
DRAWN		DATE		
APPROVED		DATE		
PROJECT		DATE		
DOCUMENT		DATE		

BASIC HYDRAULICS
PROVISIONAL

PROJECT	J4.34.4/17	DOCUMENT	4.34.4 GEN 07-00000	SHEET	A1	REV	B
P.O. BOX 8216, RIDGEDBAAL CAPE TOWN SOUTH AFRICA.							